

SPLASH RESISTANT FUSE HOLDER

for MAXI™ Style Blade Fuse

RoHS



Description

The In-Line Splash Resistant Fuse Holder provides an efficient, simple installation method for MAXI / FK3-style fuse applications in harsh under-the-hood environments

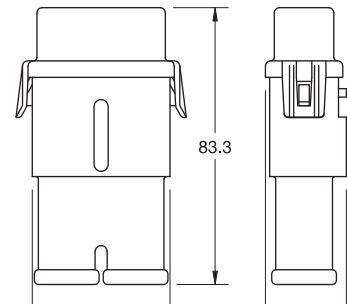
* PA66-GF30: heat resistant, hitzefest
UL 94-V0: self extinguishing, selbstlöschend

Ordering Information

Part Number	Package Size
01520003TXN	10
279.6800.xxx1	10
279.6800.xxx2	100
01520003U	500

Dimensions

Dimensions in mm



Ratings

Part Number	Description	Fuse Rating
01520003TXN941	Assortment: Fuse Holder 01520003 with terminals, seals and cover for 4-6mm ² - 10 pcs.	60 A
01520003TXN942	Assortment: Fuse Holder 01520003 with terminals, seals and cover for 6-10mm ² - 10 pcs.	60 A
279.6850.0402	Assortment: Fuse Holder 279.6800.000 with terminals, seals and cover for 4mm ² - 10 pcs.	80 A
279.6850.0602	Assortment: Fuse Holder 279.6800.000 with terminals, seals and cover for 6-10mm ² - 10 pcs.	80 A
279.6850.1602	Assortment: Fuse Holder 279.6800.000 with terminals, seals and cover for 16mm ² - 10 pcs.	80 A

SPLASH RESISTANT MAXI™ COMPONENTS

Ratings

Part Number	Description	Fuse Rating
279.6800.000_	Fuse Holder UL 94-V0 *	80 A
01520003_	Fuse Holder PA66-GF30*	-
01520903_	Cover	-
0913726001	Loose terminals for wire Ø 2.5 - 4 mm ² - 300 pcs	-
09130726TXN	Loose terminals for wire Ø 2.5 - 4 mm ² - 10 pcs	-
0913727001	Loose terminals for wire Ø 4 - 6 mm ² - 300 pcs	-
09130727TXN	Loose terminals for wire Ø 4 - 6 mm ² - 10 pcs	-

Ratings

Part Number	Description	Fuse Rating
0913728001	Loose terminals for wire Ø 6 - 10 mm ² - 300 pcs	-
09130728TXN	Loose terminals for wire Ø 6 - 10 mm ² - 10 pcs	-
868-905	Wire seals for wire Ø 2.5 - 6 mm ² , bulk - 1000 pcs	-
08680905TXN	Wire seals for wire Ø 2.5 - 6 mm ² - 10 pcs	-
868-906	Wire seals for wire Ø 6 - 10 mm ² , bulk - 1000 pcs	-
08680906TXN	Wire seals for wire Ø 6 - 10 mm ² - 10 pcs	-